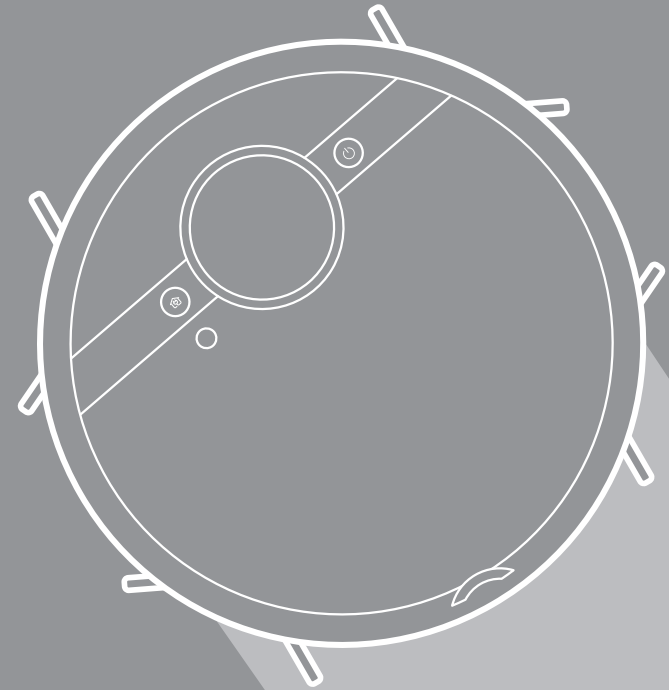




ROBOT VACUUM CLEANER
M7/M7 Pro



ROBOT VACUUM CLEANER

CONTENTS

SAFETY INSTRUCTIONS	01
----------------------------	-----------

TECHNICAL DATA	09
-----------------------	-----------

STRUCTION OF THE PRODUCT	10
---------------------------------	-----------

Assembly and parts description	10
Parts list	10

PRODUCT OPERATION	12
--------------------------	-----------

Function Of Buttons	12
Installing The Side Brushes	13
Charging Robot Vacuum	13
Cleaning	14
Mopping	15
Using APP	16
M-smartLife App Quik Guide	17

MAINTENANCE	18
--------------------	-----------

Cleaning the Side Brush	18
Cleaning the Dustbin,Sponge and Filter	19
Cleaning the Water Tank	19
Cleaning the Sensor and Wheel	20
Cleaning the Charge Terminal	20
Cleaning the Brushroll	21

FAQs	22
-------------	-----------

SAFETY INSTRUCTIONS

Warning for the machine

1. This appliance can be used by children aged from 8 years and above and persons with reduced physical, sensory or mental capabilities or lack of experience and knowledge if they have been given supervision or instruction concerning use of the appliance in a safe way and understand the hazards involved.
Children shall not play with the appliance.
Cleaning and user maintenance shall not be made by children without supervision.
2. Plug must be removed from the socket-outlet before cleaning or maintaining the appliance.
Switch off before cleaning or maintaining the appliance.
3. If the supply cord is damaged, it must be replaced by a special cord or assembly available from the manufacturer or its service agent.
4. WARNING: For the purposes of recharging the battery, only use the detachable supply unit provided with this appliance.
Use only with M7-DS supply unit.
5. This appliance contains batteries that are only replaceable by skilled persons.

6. Do not bring the smart robot close to heat source, radiation or burning cigarette butts. It is strictly forbidden to vacuum the following objects:
 - 1) All liquids such as water and solvents;
 - 2) Lime, cement dust and other construction dust and garbage;
 - 3) Heat generating objects, such as unextinguished carbon butts, cigarette butts;
 - 4) Sharp fragments, such as glass, etc.;
 - 5) Flammable and explosive items, such as gasoline and alcohol products.
7. Before using, please remove all fragile items from the ground (such as glasses, lamps, etc.), and items that may be tangled with the side brush, Roller brush and drive wheels (such as wires, curtains and other easily-entangled materials).
8. Please pay attention to your hair and avoid entanglement on wheels or roller brushes when using, cleaning and maintaining the robot.
9. Do not use this product at an altitude of more than 2000m



10. Correct Disposal of this product.

This marking indicates that this product should not be disposed with other household wastes throughout the EU. To prevent possible harm to the environment or human health from uncontrolled waste disposal, recycle it responsibly to promote the sustainable reuse of material resources. To return your used device, please use the return and collection systems or contact the retailer where the product was purchased. They can take this product for environmental safe recycling.

11. Warranty Information

The manufacturer provides warranty in accordance with the legislation of the customer's own country of residence, with a minimum of 1 year (Germany: 2 years), starting from the date on which the appliance is sold to the end user.

The warranty only covers defects in material or workmanship.

The repairs under warranty may only be carried out by an authorized service centre. When making a claim under the warranty, the original bill of purchase (with purchase date) must be submitted.

The warranty will not apply in cases of:

- Normal wear and tear

- Incorrect use, e.g. overloading of the appliance, use of non-approved accessories
- Use of force, damage caused by external influences
- Damage caused by non-observance of the user manual, e.g. connection to an unsuitable mains supply or non-compliance with the installation instructions
- Partially or completely dismantled appliances

12. WIFI:2400-2483.5MHz, MAX POWRE:20dBm, BLUETOOTH MAX POWR:10dBm

To satisfy RF exposure requirements, a separation distance of 20 cm or more should be maintained between the antenna of this device and persons during device operation. To ensure compliance, operations at closer than this distance is not recommended.

13. CLASS 1 LASER PRODUCT INVISIBLE LASER RADIATION

Warning for docking station

1. "IMPORTANT SAFETY INSTRUCTIONS - SAVE THESE INSTRUCTIONS" and "DANGER - TO REDUCE THE RISK OF FIRE OR ELECTRIC SHOCK, CAREFULLY FOLLOW THESE INSTRUCTIONS".
2. This appliance can be used by children aged from 8 years and above and persons with reduced physical, sensory or mental capabilities or lack of experience and knowledge if they have been given supervision or instruction concerning use of the appliance in a safe way and understand the hazards involved.
Children shall not play with the appliance.
3. Cleaning and user maintenance shall not be made by children without supervision.
4. Children should be supervised to ensure that they do not play with the appliance.
5. If the supply cord is damaged, it must be replaced by a special cord or assembly available from the manufacturer or its service agent.
6. Docking station is only applicable to the product M7/M7 Pro.
7. Warning: The battery charger(Docking station) is not intended to charge non-rechargeable batteries.

Warning for battery

1. Do not dismantle, open or shred secondary cells or batteries.
b) Do not expose cells or batteries to heat or fire. Avoid storage in direct sunlight.
2. Do not short-circuit a cell or a battery. Do not store cells or batteries haphazardly in a box or drawer where they may short-circuit each other or be short-circuited by other metal objects.
3. Do not remove a cell or battery from its original packaging until required for use.
4. Do not subject cells or batteries to mechanical shock.
5. In the event of a cell leaking, do not allow the liquid to come in contact with the skin or eyes. If contact has been made, wash the affected area with copious amounts of water and seek medical advice.
6. Do not use any charger other than that specifically provided for use with the equipment.
7. Observe the plus (+) and minus (-) marks on the cell, battery and equipment and ensure correct use.
8. Do not use any cell or battery which is not designed for use with the equipment.
9. Do not mix cells of different manufacture, capacity, size or type within a device.

10. Keep cells and batteries out of the reach of children.
11. Seek medical advice immediately if a cell or a battery has been swallowed.



[symbol IEC 60417-5957 (2004-12)] For indoor use only



[symbol ISO 7000-0790 (2004-01)] read operator's manual



[symbol IEC 60417-5031 (2002-10)] direct current



time-lag miniature fuse-link where X is the symbol for the time/current characteristic as given in IEC 60127



[symbol IEC 60417-5032 (2002-10)] alternating current



[symbol IEC 60417-5172 (2003-02)] class II equipment

12. Always purchase the correct cell or battery for the equipment.
13. Keep cells and batteries clean and dry.
14. Wipe the cell or battery terminals with a clean dry cloth if they become dirty.
15. Secondary cells and batteries need to be charged before use. Always use the correct charger and refer to the manufacturer's instructions or equipment manual for proper charging instructions.
16. Do not leave a battery on prolonged charge when not in use.
17. After extended periods of storage, it may be necessary to charge and discharge the cells or batteries several times to obtain maximum performance.
18. Secondary cells and batteries give their best performance when they are operated at normal room temperature ($20\text{ }^{\circ}\text{C} \pm 5\text{ }^{\circ}\text{C}$).
19. Retain the original product literature for future reference.
20. Use only the cell or battery in the application for which it was intended.
21. When possible, remove the battery from the equipment when not in use.
22. Dispose of properly.

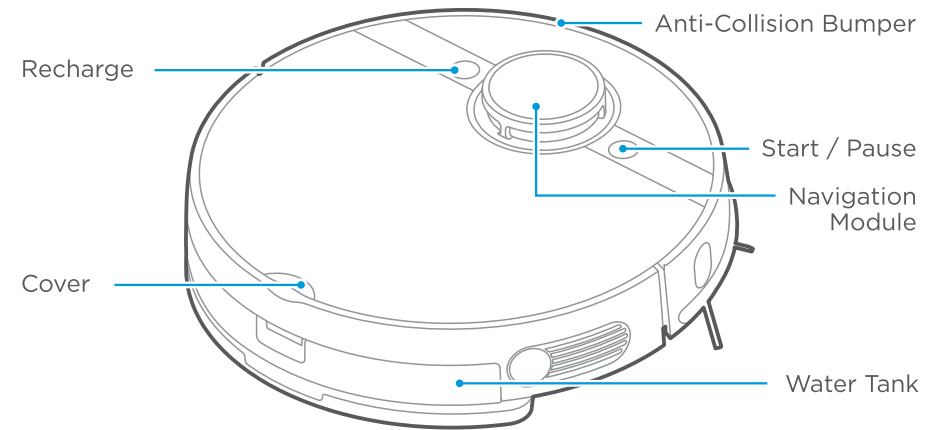
TECHNICAL DATA

Warning for battery

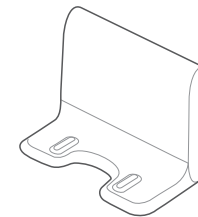
1. Product Model: M7/M7 Pro
2. Host Charging Voltage: 16.9 V \equiv
3. Host Rated Voltage:14.4 V \equiv
4. Host Rated Power:55 W
5. Docking Station Model:M7-DS
6. Docking Station Input:100-240V~,50-60Hz,38W
7. Docking Station Output:16.9V \equiv ,2A
8. Battery Model:BP14452B
9. Battery Rated Voltage:14.4V \equiv
10. Battery Capacity:5200mAh 74.88Wh
11. Charging Limit Voltage:16.8V \equiv

STRUCTURE OF THE PRODUCT

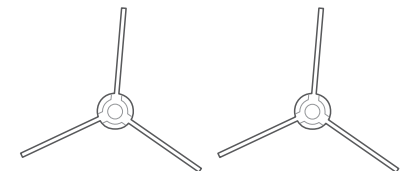
Assembly and parts description



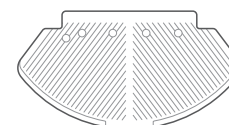
Parts list



Charging Base x1



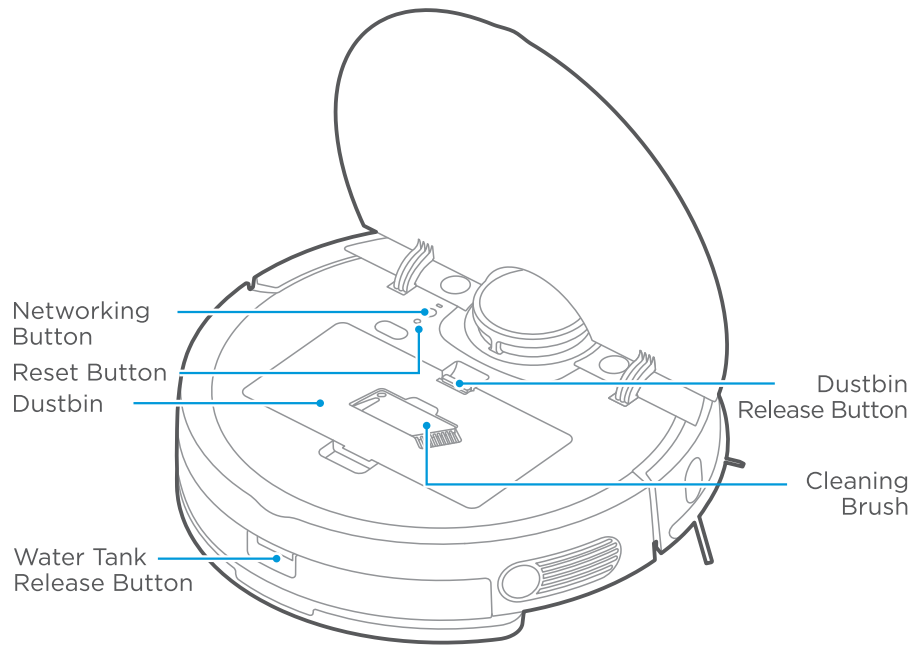
Side Brush x2 Pairs



Mop Cloth Holder x1

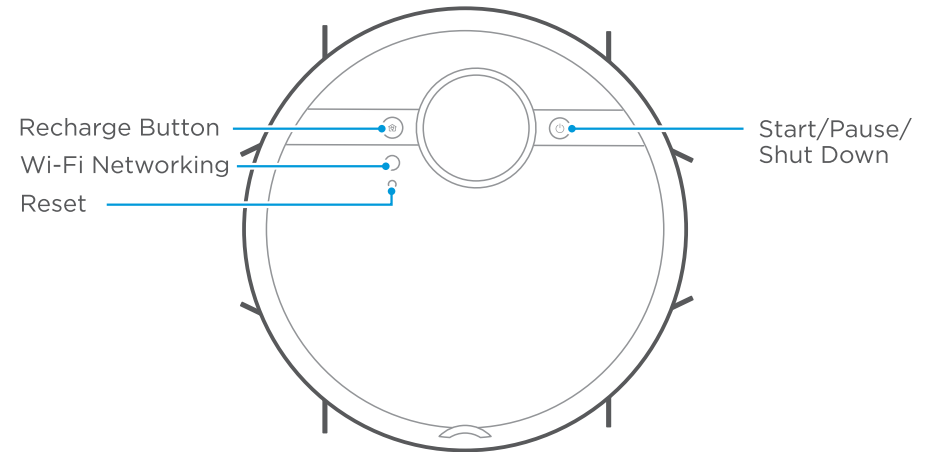


Power Cable x1



PRODUCT OPERATION

Function of Buttons



Start/Pause/Shut Down

Start: Press and hold for 3s to hear a startup voice then the machine turns on.
Pause: Press one time and the machine will stop. Press again, the machine will start work again.
Shut Down: Please help to remove the machine from the charging base then press and hold for 3s to hear a shutdown voice and the machine will turn off.

Wi-Fi networking

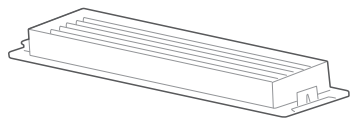
Press for 3 seconds for Wi-Fi matching. Robot is in matching status if light is flickering.

Recharge

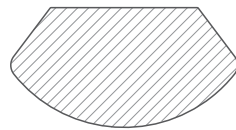
Short press for recharging.

Reset

Press "Reset" to restart the robot when it is out of work.



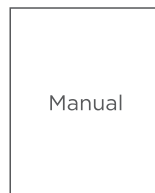
HEPA Filter x1



Mop Cloth x1



Cleaning Brush x1



Manual x1



Vibration Mopping Assembly x1

Only for M7 Pro

Installing the Side Brushes

- 1 Turn the unit over.
- 2 With unit upside down, align side brush over brush post. Please keep the color of side brushes' same as each brush post's.
- 3 Press down side brush until it snaps in place.
- 4 Ensure side brushes can rotate freely.
- 5 Reference to fig1

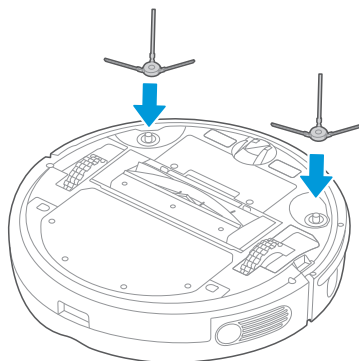


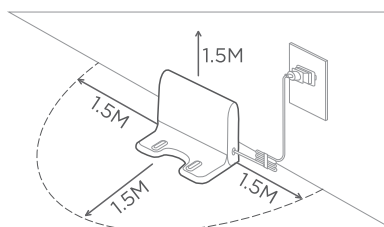
fig1

Charging Robot Vacuum

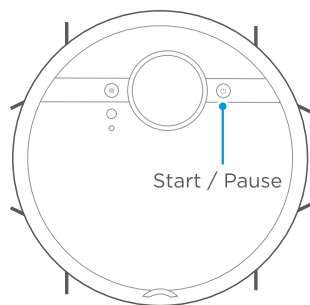
- 1 Put the charging base well:

Place the charging base against a wall and remove all of obstructions around the charging base, as shown in the figure below.

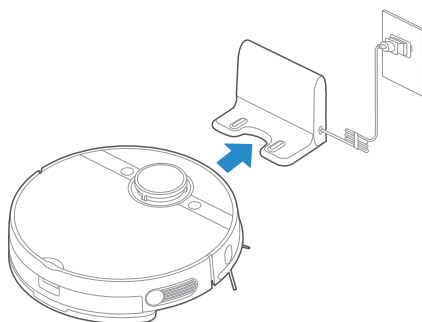
Please do not place the charging base on a carpet and keep the area dry. Also help to remove the mopping holder when it is charging.



- 2 Turn the power switch on.



- 3 Place vacuum on the charging base, ensuring the charging contacts are touching. A white light will start flashing, indicating the robot is charging. Charge for 12 hours before first use.



NOTE

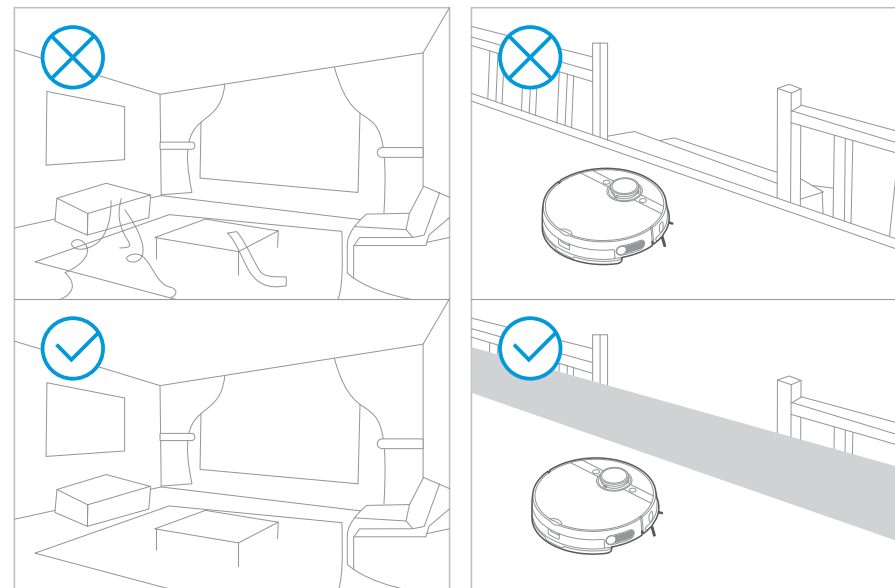
To effectively extend battery life, you should:

- 1 Please charge before first use;
- 2 When the battery is low power, please charge it as soon as possible;
- 3 If you do not use the appliance for an extended period of time, fully charge the battery and put it in a ventilated and dry place;
- 4 Charge the robot every 3 months if it is not used for a long time to protect battery;
- 5 This machine has automatic recharge function. In some special cases (such as battery is dead, the machine is stuck, etc.), the main unit may not be able to automatically recharge.

Cleaning

Please clean up the wires and sundries scattered on the ground and remove valuable, fragile items that are easy to fall before cleaning.

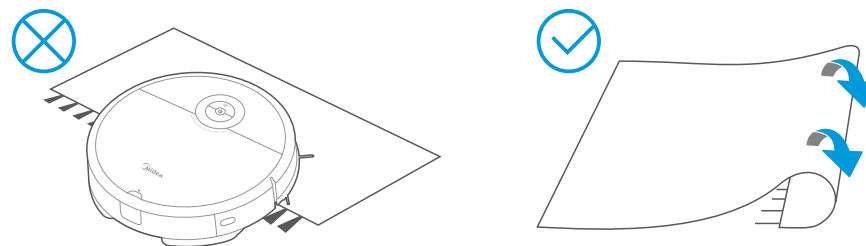
If there is a suspended environment in the clean area, please use objects to fix and block to avoid any potential harm.



It is recommended to follow the sweeping robot to find some possible problems during the first cleaning process. The robot can clean much more smoothly after that. If certain special areas do not need to be cleaned or the robot may be trapped, you can add a restricted area or virtual wall on the map in the APP to prevent the robot from entering the above special area.

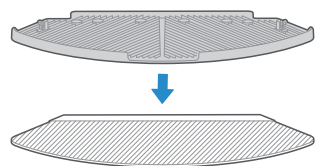
NOTE

- 1 Do not use your robot on wet surfaces or surfaces with standing water. Before using the product on a rug with tasseled edges, please fold the rug edges under.

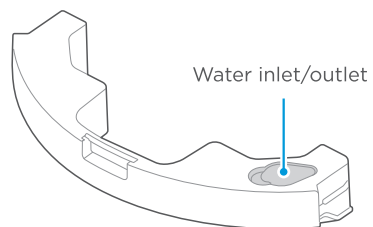


Mopping

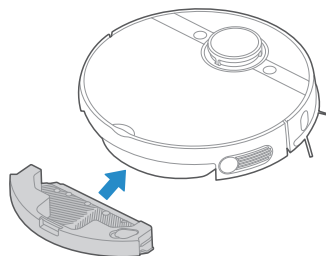
- 1 Attach mopping cloth to the mopping holder.



- 3 Fill the Water.



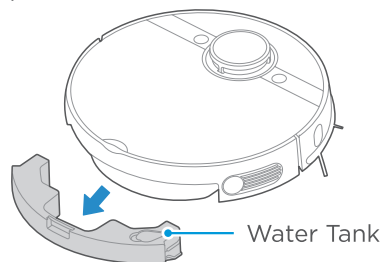
- 5 Re-insert the water tank assembly into the vacuum.



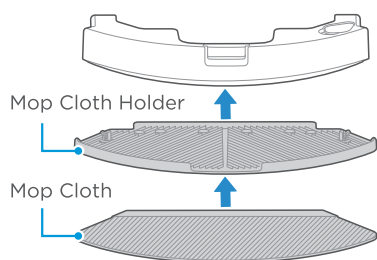
NOTE

- Please do not fill the water more than the "Max" level.
- It is recommended to use clean water in the water tank. Do not use any detergent in the water.
- Please clean the mopping cloth after cleaning.
- You will hear a click sound when the water tank is installed properly.
- Move the mopping holder when the robot is under charging.
- Please set virtual wall by APP or roll up the carpet if you don't want the robot go on your carpet operating mopping.
- Please adjust water flow by APP according to your requirement.

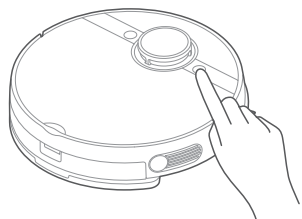
- 2 Press the button on tank and pull to remove.



- 4 Attach mopping holder to the water tank.



- 6 Press "  " to start mopping.



Using APP

NOTE

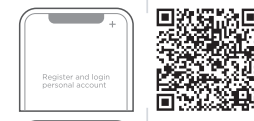
If your home WiFi name or password is changed, you will need to re-establish connection with your robot vacuum.

- ▶ App supports iOS 9.0 and above, Android 6.0 and above phone system versions, but Pad device is not accepted; generally the phone system version may be checked by clicking "Settings>About Mobile Phone" in the mobile phone.
- ▶ This model does not support WEP encrypted router;
- ▶ The network accessing configuration of the cleaner requires WiFi network of 2.4GHz frequency range, 5GHz frequency range is not currently compatible;
- ▶ Do not configure network accessing under the charging state;
- ▶ WiFi is mandatory for network accessing configuration of the cleaner; once the network accessing is configured successfully, App may be operated in WiFi/2G/3G/4G network environment and the cleaner may be controlled remotely;
- ▶ If your home WiFi password is changed, the cleaner will be displayed off-line on App; Without any changes of App account number, one just needs to configure network accessing for the cleaner once again;
- ▶ If others want to use App to operate same cleaner, they need be invited on App by the device owner by sharing the device to the new user's account (on the condition that the invitee has downloaded App and registered an account);
- ▶ The device will be removed from the former device owner's device list if a new account owner connect the device successfully;
- ▶ Once the cleaner is configured successfully network accessing, the following operations will result in clearance of WiFi settings and secondary network accessing configuration is required; Long press the network accessing configuration key on the device over 3 seconds and after a tick sound is heard, all Wi-Fi information will be cleared;

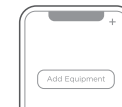
- 1 Ensure mobile phone is connected to your home WiFi.
- 2 Download the MSmartLife app and register your vacuum:
 - a. Scan the QR code or search for the MSmartLife app in the Apple or Google Play store. Download the app.
 - b. Open the app and create your personal account. Follow instructions on the screen.



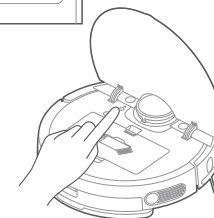
WiFi



- 3 Add your robot vacuum to your app
Press the "+" button on the main screen of the app and select VCR09B from the available list of products.



- 4 Connect your robot to your WiFi
After assembling and powering on the robot, press and hold down the "WiFi" button for 3 seconds until a beep is heard. The WiFi indicator light should start to flicker. Follow instructions on app for next steps.



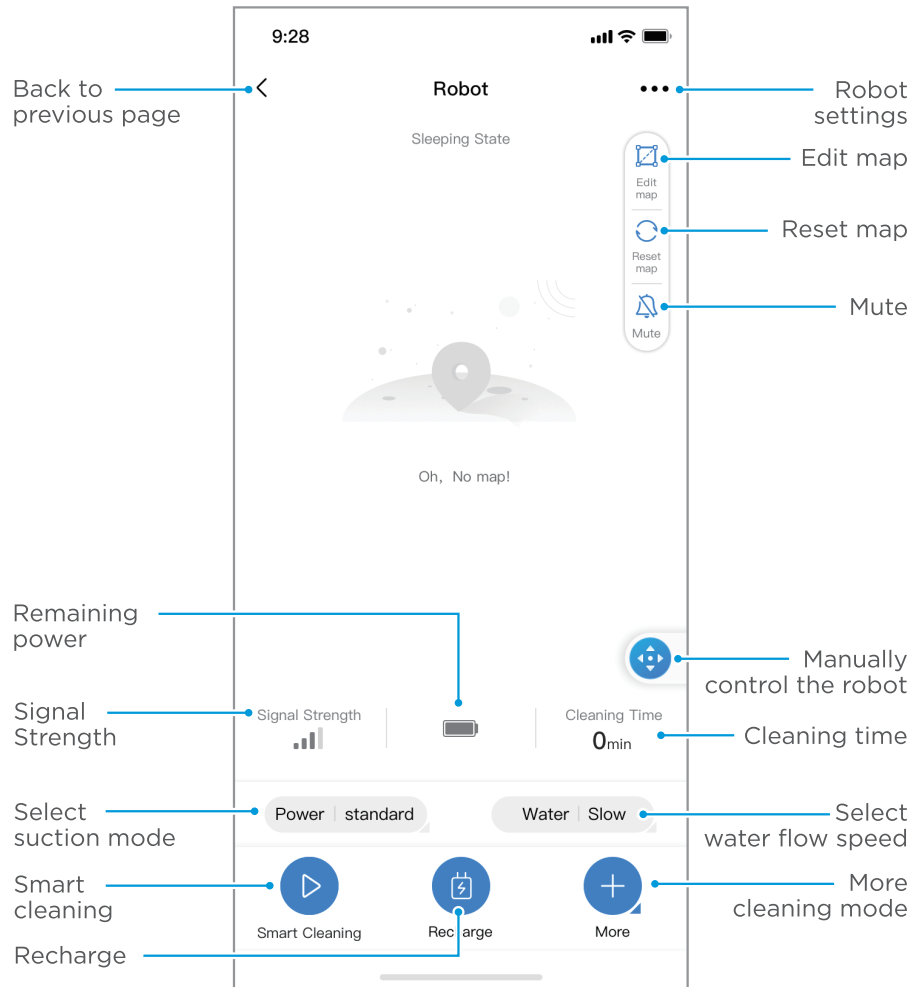
NOTE

Once the network access is configured successfully, you will be the owner of this cleaner and can operate your intelligent cleaner by accessing to cleaner operating interface.

M-smartLife App Quick Guide



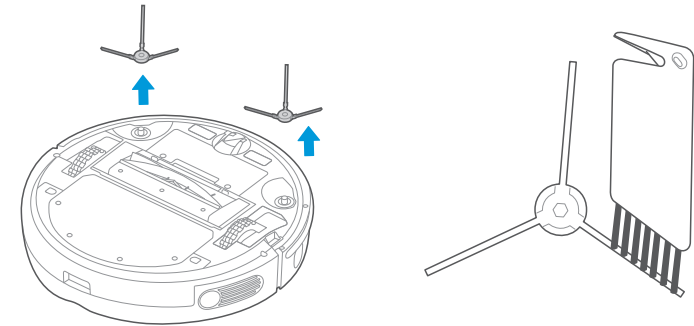
If the Wi-Fi in your home is unstable, it may cause a certain delay in the related operations of the M-Smart App. (The content of the MSmartLife App is subject to change with the product technology update. Please refer to the MSmartLife interface for details).



MAINTENANCE

Cleaning the Side Brush

- 1 Regularly check the side brush for hair wrapping.
- 2 Clean the side brush with the cleaning tool or a rag.
- 3 If the side brush has deformed from hair wrap, remove the side brush by pulling it off the vacuum and place it in warm water for 5 seconds.
- 4 If the side brush is permanently damaged, replace with the spare set of brushes.

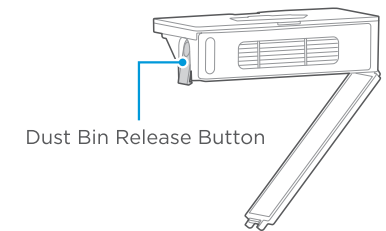
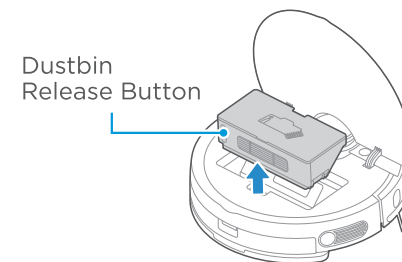


Cleaning the Dustbin, Sponge and Filter

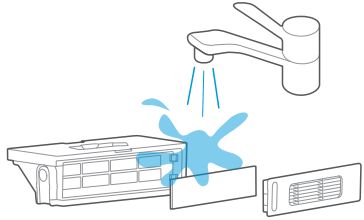


Empty the dustbin after each use.

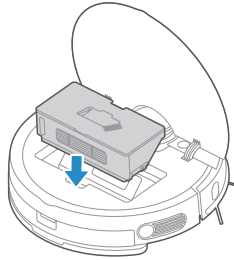
- 1 Press dust cup release button to remove dust cup from robot.
- 2 Press dustbin release button to empty into a trash bin.



3 HEPA filter is on the side of dust cup. Please keep HEPA and sponge totally dry before using.

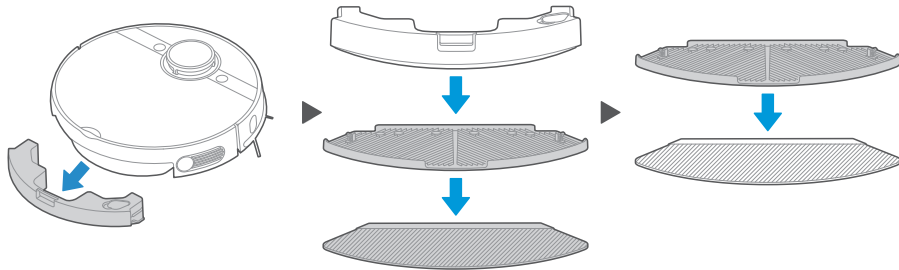


4 Have dust cup inserted back to robot.

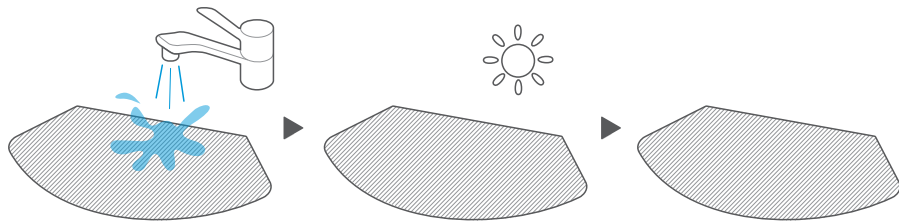


Cleaning the Water Tank

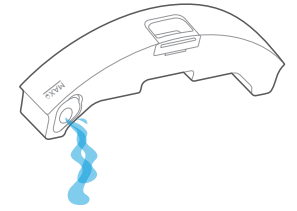
1 Once finished mopping, press the water tank release button and pull to remove the water tank. Detach the mop holder by pulling them apart.



2 Wash the mopping pad and dry THOROUGHLY



3 Open the cover and pour out the remaining water in the water tank.

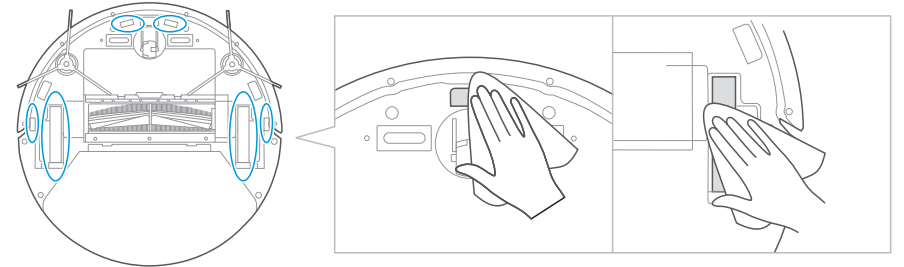


4 Wipe dry the water tank. Exposure to sunlight is not recommended.



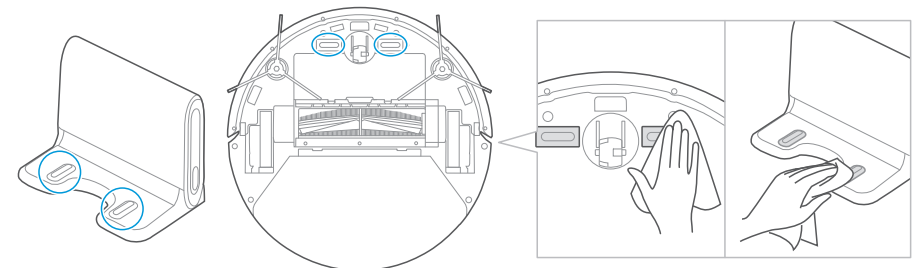
Cleaning the Sensor and Wheel

Wipe the sensor and wheels gently with a soft cloth, as shown in the right figure.



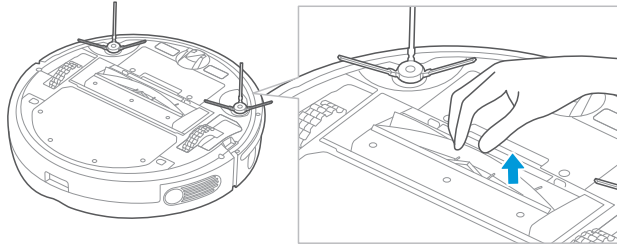
Cleaning the Charge Terminal

Wipe the charging terminals on both the robot and charging dock with a soft cloth, as shown in the right figure.

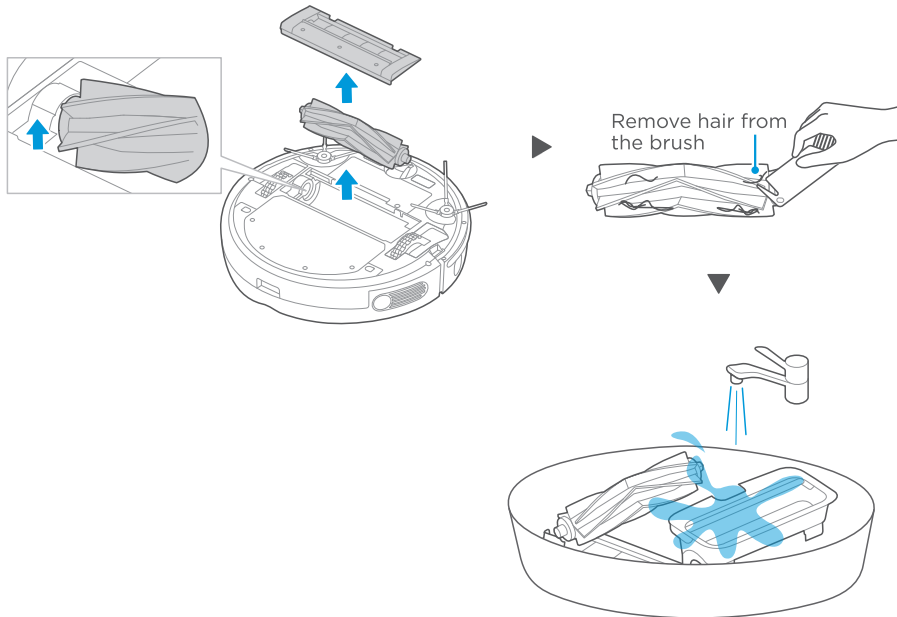


Cleaning the Brushroll

1 Pull the middle area of brush roll to take part it.



2 Brush roll can be apart by pulling its middle part. Then you can clean threads or hair wrapped around the brush roll by scissors or included brush cleaner.



NOTE

If side brushes are curled, you can remove them and place in warm water for 30 seconds and then let it thoroughly dry. Also regularly use the brush cleaner to remove dust, debris and hair from the side brushes. Brushroll frame can also be removed and cleaned but lifting out. When put it back, make sure the side with the rubber flap is on the closest side to the dustbin.

Every time when you empty your dust cup, please clean your filter at the same time.

FAQs

In case of malfunction, please refer to the following table.

Problem	Possible reason	Solution
The appliance will not be charged	<ul style="list-style-type: none"> ▶ The power switch is not turned on while charging. ▶ The appliance and charging terminals are not in full contact. 	<ul style="list-style-type: none"> ▶ Power on the appliance. ▶ Make sure the appliance is fully in contact with the charging terminal.
The appliance gets stuck	<ul style="list-style-type: none"> ▶ The appliance is covered by wires on the ground, drooping curtain fabric or blankets are twined. ▶ Side brush and brushroll, etc. get stuck, and the appliance cannot run normally. 	<ul style="list-style-type: none"> ▶ The appliance will automatically start the escape mode. If it is not out of trouble, it needs manual help. ▶ Clean the windings on the side brush and restart it. If not, contact the post-sales department.
Not cleaned completely, and recharge it	<ul style="list-style-type: none"> ▶ The appliance does not have enough battery power. 	<ul style="list-style-type: none"> ▶ Charge the appliance.
No cleaning according to the preset time	<ul style="list-style-type: none"> ▶ The power switch is not on. ▶ Scheduled appointment is cancelled. 	<ul style="list-style-type: none"> ▶ Turn on the power switch of appliance. ▶ Reset and make appointment.
After the mop holder is installed, the appliance is impermeable	<ul style="list-style-type: none"> ▶ The mop holder magnet falls off. ▶ There's no water in water tank. ▶ The appliance base outlet hole is blocked. 	<ul style="list-style-type: none"> ▶ Contact the aftersales service center. ▶ Add water. ▶ Clear water outlet and tank filter.
The appliance has missed sweeps, there is no plan for cleaning, and the map in app shows irregularly	<ul style="list-style-type: none"> ▶ The ground is slippery. ▶ Wires, shoes and other objects placed on the ground, affecting the normal operation of the appliance. ▶ Cleaning is interrupted halfway. 	<ul style="list-style-type: none"> ▶ If the floor is waxed, dry it before use. ▶ Minimize ground items as much as possible. ▶ Do not move or block the appliance during work.
Appliance does not work	<ul style="list-style-type: none"> ▶ The power switch is not turned on. ▶ Low battery. ▶ Wheels are dropped and the three groups of drop sensors are in a falling state. 	<ul style="list-style-type: none"> ▶ Turn on the power switch. ▶ Charge the appliance. ▶ Place the appliance close to the ground. ▶ Contact post-sales service center.
Appliance retreats	<ul style="list-style-type: none"> ▶ There is a obstacle ahead. ▶ Bumper rail is clamped. 	<ul style="list-style-type: none"> ▶ Clear the front obstacles. ▶ Tap the bumper rail to check for if there is foreign matter stuck.

In case of malfunction, please refer to the following table.

Problem	Cause	Troubleshooting	Solution
App displays disconnection	Disconnection between the mobile phone and the appliance	<ul style="list-style-type: none"> ▶ Judge if the mobile phone is accessed to network; ▶ Judge if the router works normally; ▶ The cleaner is required to be powered; ▶ The WiFi configurations of the equipment are cleared; ▶ The WiFi password or network is changed. 	<ul style="list-style-type: none"> ▶ The mobile phone shall be accessed to network once again; ▶ Re-start the router; ▶ Power on the cleaner once again; ▶ Add new appliances into App; ▶ After system start-up, long press "WiFi" 3 seconds and release it after a tick sound is heard; clear all WiFi configurations of the cleaner and add household electrical appliances once again for operation.
Slow App operation	Network connection is not so smooth	<ul style="list-style-type: none"> ▶ Network busy; ▶ Poor WiFi signal reception of the mobile phone; ▶ The network bandwidth is not so adequate. 	<ul style="list-style-type: none"> ▶ Re-start the router and reduce the number of access users; ▶ Check the settings of the mobile phone itself; ▶ Broaden network bandwidth.
The QR code of the mobile phone itself cannot be scanned by App.	The hardware configurations of the mobile phone are very low, the camera has no focus function.	<ul style="list-style-type: none"> ▶ Change mobile phones for confirmation; 	<ul style="list-style-type: none"> ▶ Change mobile phones and scan; ▶ Add appliance by product category.

2400-2483.5MHz, WIFI MAX RF POWER: 20 dBm, BLUETOOTH MAX RF POWER: 10 dBm

Correct Disposal of this product



This marking indicates that this product should not be disposed with other household wastes throughout the EU. To prevent possible harm to the environment or human health from uncontrolled waste disposal, recycle it responsibly to promote the sustainable reuse of material resources. To return your used device, please use the return and collection systems or contact the retailer where the product was purchased. They can take this product for environmental safe recycling.

Declaration of Conformity (DoC)

Unique identification of this DoC: M7-001

We Jiangsu Midea Cleaning Appliances Co., Ltd.

 No.39 Caohu Avenue, Xiangcheng Economic Development Zone, Suzhou, Jiangsu, China

responsibility that the product:

product name : Robot Vacuum Cleaner

tradename: Midea

type or model: M7/M7 Pro

towhichthisdeclarationrelatesisinconformitywiththeessentialrequirementsand other relevant requirements of the Directive:

2014/53/EU 2011/65/EU (EC) No 1907/2006

The product is in conformity with the following standards and/or other normative documents:

 2014/53/EU:EN60335-2-2:2010+A11:2012+A1:2013

 EN60335-1:2012+A11:2014+AC:2014+A13:2017+A1:2019+A14:2019+A2:2019

 EN62311:2008 EN62233:2008

 EN 301 489-1 V2.2.3 EN 301 489-17 V3.2.4 EN 55014-1:2017 EN 55014-2:2015

 ENIEC61000-3-2:2019 EN61000-3-3:2013+A1:2019 EN300328V2.2.2

 2011/65/EU:EN62321-1:2013 EN62321-2:2014 EN62321-3-1:2014

 EN62321-4:2014 EN62321-5:2014 EN62321-6:2015 EN62321-7-1:2015

 EN62321-7-2:2017 EN62321-8:2017

 EN62321-7-2:2017 EN62321-8:2017

Supplementary information:

Technical file held by: Jiangsu Midea Cleaning Appliances Co., Ltd.

Place and date of issue (of this DoC): CHINA 2021-3-1

Signed by or for the manufacturer *Shawn*
(Signature of authorized person)

Name (in print): Shawn.yan

Title: Quality Manager