

Note:
This manual is carefully checked, in case there is any printing errors or misunderstandings on the content, the company reserves the power of interpretation.

If there is any change in product function, appearance or color, without prior notice, product appearance depends on goods.

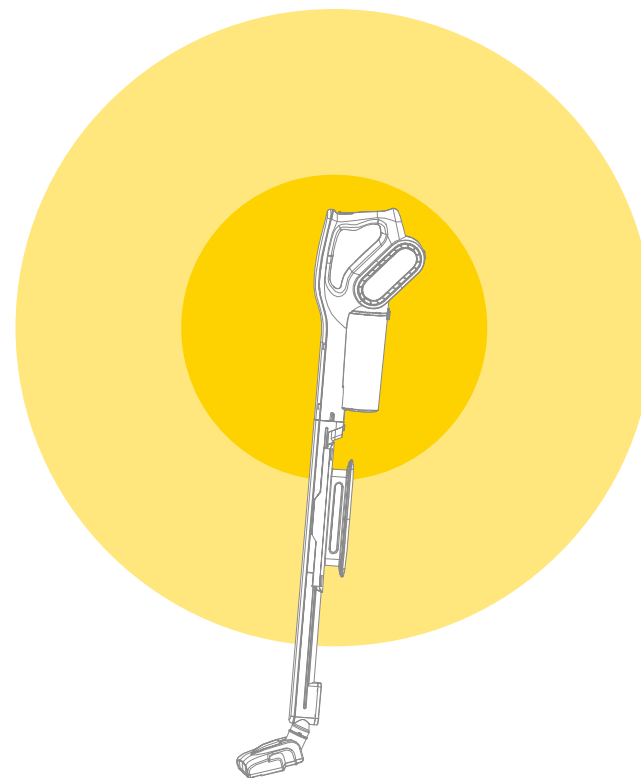
deerma

Foshan Shunde Deerma Electric Appliances Co., Ltd.

Add: No.4-1 Longhui Road, Malong Village Committee, Beijiao, Shunde, Foshan, Guangdong, China
Web: <http://www.deerma.com>

deerma

EN



Deerma Vacuum Cleaner

Continuous large suction can take away the dust

It is great at picking up fine dust rapidly and flexibly for each corner.
It is effective storing the dust not backflow to give you a clean living area.

MODEL NO.: DX700/DX700S

Thank you for purchasing this product. Please read the instruction carefully before using, to ensure safety.
Deerma product will bring you and your family's life more fun and delicacy!

IMPORTANT SAFETY INSTRUCTIONS

The appliance is not to be used by persons (including children) with reduced physical, sensory or mental capabilities, or lack of experience and knowledge, unless they have been given supervision or instruction concerning on the use of the appliance by a person responsible for their safety.

Children being supervised are not to play with the appliance

If the supply cord is damaged, it must be replaced by the manufacturer, its service agent or similarly qualified persons in order to avoid a hazard.

When using an electrical appliance, basic safety precautions should be observed, including the following.

PLEASE READ AND SAVE ALL INSTRUCTIONS BEFORE USING THE STICK VACUUM.

WARNING!

Read and understand all instructions. Failure to follow all instructions listed below may result in electric shock, fire or serious personal injury. The warnings, cautions, and instructions discussed in this instruction manual cannot cover all possible conditions and situations that may occur.

1. DO NOT:

- a) Use the vacuum cleaner outdoors. It is for household use only.
 - b) Allow the vacuum cleaner to be used as a toy. Close attention is necessary when used by or near children.
 - c) Use the vacuum cleaner with damaged cord or outlet plug, if it has been dropped, damaged, left outdoors, or dropped in water. Return it to the service center for examination, repair or adjustment.
 - d) Attempt to change accessories while the vacuum cleaner is running.
 - e) Use the vacuum cleaner without dust collection box in place.
 - f) Pick up liquids with the vacuum cleaner or use on wet floors.
 - g) Handle the plug or the vacuum cleaner with wet hands.
 - h) Put any object into openings. Do not use with any opening blocked. Keep free of dust, lint, hair and anything that may reduce air flow. Do not pick up anything that is burning or smoking, such as cigarettes, matches, or hot ashes.
 - i) Pick up pieces of string or fabrics with the vacuum cleaner or clean frayed carpets or tassels on carpets with the vacuum cleaner.
 - j) Use the vacuum cleaner on concrete, tar, or similar rough surfaces.
 - k) Use the vacuum cleaner to pick up flammable or combustible liquids, such as gasoline or use in areas where they may be present.
 - l) Abuse the power cord. Never carry the vacuum cleaner by the power cord or pull the power cord to disconnect the outlet plug from an outlet; Instead grasp the outlet plug and pull to disconnect.
 - m) Leave appliance when plugged in. Unplug from outlet when not in use and before servicing.
 - n) Pull or carry by the cord, use as a handle, close a door on cord, or pull cord around sharp edges or corners, run appliance over cord.
2. Keep hair, loose clothing, fingers, and all parts of body away from openings and moving parts.
 3. Use the vacuum cleaner only as described in this manual. Use only manufacturer's recommended attachments.
 4. Read and follow all operational instructions.
 5. Store the vacuum cleaner indoors. Store after use to prevent accidents.
 6. Unplug before connecting suction brush, floor tool and crevice tool.
 7. Turn off all controls before unplugging.
 8. Use extra care when cleaning the stairs.

ELECTRIC POWER

If electric circuit is overloaded with other appliances, your vacuum cleaner may not operate properly. The vacuum cleaner should be operated on a separate electrical circuit from other operating appliances.

SAFETY WARNING

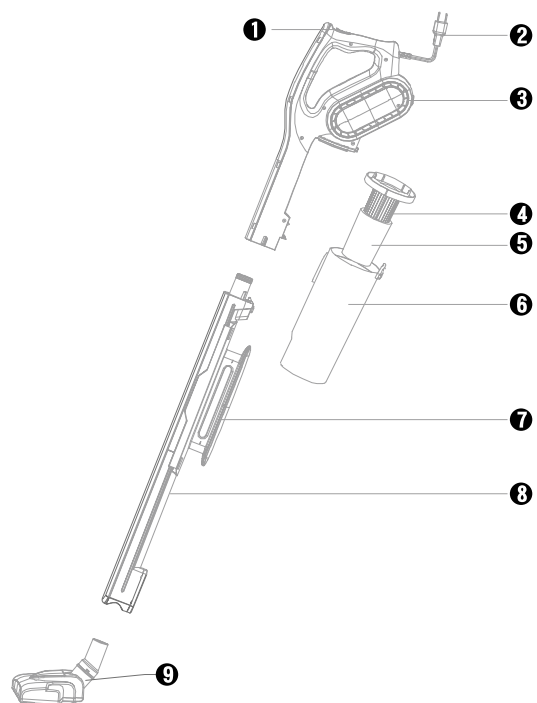
Although your vacuum cleaner is easy to operate, for your safety, the warnings below must be followed:

1. Do not place the vacuum cleaner near a heat source.
2. Do not unplug by pulling on the power supply cord.
3. The vacuum cleaner must be unplugged:
 - A. Before any cleaning or maintenance
 - B. If it appears to be faulty.

THIS PRODUCT IS INTENDED FOR HOUSEHOLD USE ONLY.
SAVE THESE INSTRUCTIONS

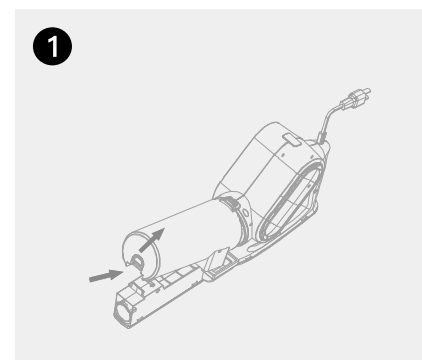
MAIN PARTS

a. Product parts schematic and assembly

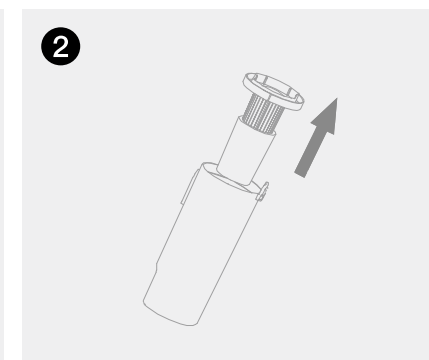


- 1 Power switch 2 Power cord 3 Main body 4 HEPA filter
- 5 Foam Filter 6 Dust collection container 7 Power cord hook 8 Connecting tube assembly
- 9 Floor brush

ASSEMBLY



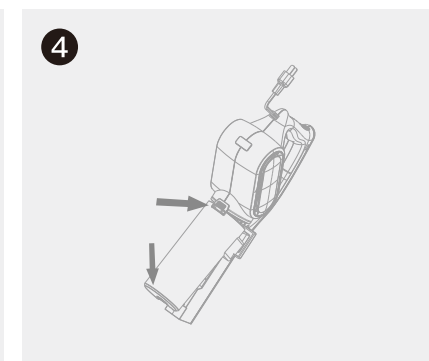
1. Press the release button on the bottom to release the dust collection container.



2. Remove the dust collection container.

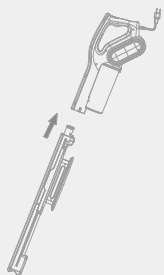


3. Make sure HEPA and filter cotton are firmly positioned in place



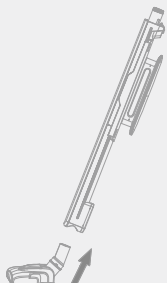
4. Replace filter back into the dust collection container and attach the dust collection container to the machine.

5



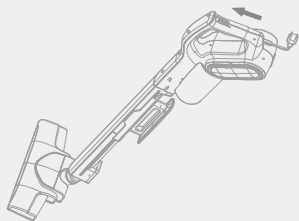
5. Attach the connecting tube assembly to the main body.

6



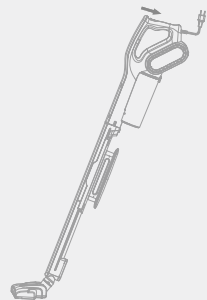
6. Keep the brush aligning the interface of the connecting tube, insert it slowly.

7



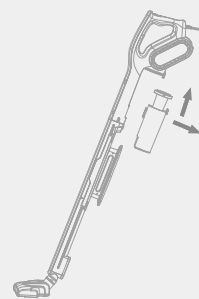
7. Connect the plug into power socket, and make sure the connection is secured. Slide "ON/OFF" switch forward to turn the vacuum ON.

8



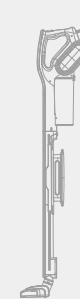
8. Slide the ON/OFF switch to turn the vacuum off and unplug the power cord after using.

9



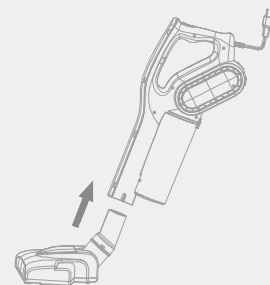
9. Remove the HEPA filter and empty the dirt in the dust collection container into a trash receptacle.

10



10. Wrap the power cord around the cord bracket when not in use and for storing.

11



11. Remove the connecting tube, insert the floor brush into the machine and use as a hand held vacuum.

USE INSTRUCTIONS

1. Make sure the vacuum cleaner is turned off and unplugged during assembly. Once the vacuum cleaner is assembled, make sure the HEPA filter is in place.
2. Plug the power cord into a power outlet.
3. Slide the ON switch, on the front of the main body near the top to turn the vacuum on
4. Slide the OFF switch to turn the vacuum OFF.
5. Unplug the power cord after each use.

CLEANING AND MAINTENANCE

MAINTENANCE

CAUTION: Always be sure that the vacuum is turned OFF and UNPLUGGED before cleaning or attempting to store the item. NEVER IMMERSE THE MOTOR in water or any other liquid. NEVER operate the vacuum without the dust collection container and HEPA filter in place.

Never leave the appliance unattended it can automatically restart. Even when the appliance stops working due to overheating, make sure that the appliance is off and disconnected from the power source. Wait until the appliance cools down completely then connect to the power source again. If the appliance does not work anymore, please return it to the nearest authorized service facility for repair.

HOW TO CLEAN THE DUST COLLECTION CONTAINER

1. Press the dust collection container release button to remove the dust collection container.
2. Remove the HEPA filter and empty the dirt in the dust collection container into a trash receptacle.
3. Shake the HEPA filter over the trash receptacle to remove dirt in the filter.
4. Replace the HEPA filter into the dust collection container and replace the dust collection container securely onto the main body.

HOW TO CLEAN THE VACUUM CLEANER

1. Use a damp soft cloth to wipe the outside of the main body and handgrip.
2. The dust collection container (without HEPA filter) may be immersed in water to clean. However, do not use abrasive cleaners or put it in the dishwasher. Allow it to dry completely before re-attaching it to the main body.
3. Shake the HEPA filter over the trash receptacle to remove dirt in the HEPA filter. If necessary, the HEPA filter may be rinsed with water. Allow to dry completely before inserting the HEPA filter back into the dust collection box.
4. Replace the HEPA filter into the dust collection container and replace the dust collection container securely onto the main body.

Внимания

HOW TO CLEAR CLOGS

Low suction or poor pick-up may be due to a clog in the vacuum canister.

If you notice a change in the sound of the motor or a reduction in performance, check for clogs.

CAUTION: Always be sure that the vacuum is switched OFF and unplugged before attempting to remove a clog.

1. Empty dust collection container.
2. Check dust collection container for buildup.
3. Check for clog in vacuum head.
4. Check floor tool.

STORING

Store the vacuum in a dry location. Do not place any heavy items on top of the vacuum during storage as this may result in possible damage to the vacuum.

ENVIRONMENTAL PROTECTION

If the appliance should no longer work at all, please make sure that it is disposed of in an environmentally friendly way.