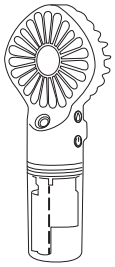


Mistral



FAN WITH
REFRESHING MIST
OF ESSENTIAL OILS
OR HYDROSOLS.

English



INSTRUCTIONS FOR SAFE USE EN

-Before you use the devices, read carefully and keep the operating instructions described below. Always make sure that you properly handle the devices. Throughout this instruction manual, the term «device» refers to the diffuser and its accessories.

-If you notice a burning smell or the product shows other signs of significant malfunction, immediately disconnect the power cord from the electrical outlet. Wait until the burning smell dissipates, then contact your retailer.

-If the device falls, disconnect the power cord from the electrical outlet.

-Maintain the essential oil diffuser with an appropriate cleaner available at your retailer.

-Do not try to disassemble or modify the devices. You will be exposed to hazards and your parts and labour warranty would become invalid.

-Do not bend, twist or pull the power cord, this may damage it and cause a fire or electrical shock hazard.

-Do not place heavy objects on the devices.

-Do not obstruct the diffuser output of your device.

-Do not use the devices in areas that are smoky, humid, dusty, or subject to strong vibrations.

-Do not expose the devices to high temperatures. Do not use the devices near an open flame.

-Do not use the devices in a humid atmosphere. Do not immerse the devices in water.

-Carefully observe the precautions for use provided with the

bottles of essential oils.

-Do not overfill the essential oil diffuser. They could stain the furniture on which they are placed.

-Do not place the diffuser on an inclined or unstable piece of furniture. It could fall, break and cause injury.

-This device can be used by children 8 years of age and older and by persons with limited physical, sensory or mental abilities or without experience or knowledge of the device, if they are properly supervised or if the instructions relating to the safe use of the device were given to them and the associated risks were understood.

-Keep the devices out of the reach of children. It is not a toy and children should not play with the appliance.

-Cleaning and maintenance must not be performed by unsupervised children.

-Warning: Do not insert fingers or foreign objects into the rotating fan blades or into the front and/or rear cover of the fan.

-Unplug the device before handling or maintenance. Make sure that it has been emptied of any liquid or substance for diffusion.

-Warning: Refer to the **"Installation"** section for all recharging operations.

-Store the battery and/or the diffuser fitted with these batteries in a dry, temperate place (18/20°C).

-Do not leave the battery or diffuser outdoors or exposed to rain or damp.

-Avoid thermal shock to the battery: it is advisable to wait at least half an hour before recharging the battery after using it outdoors

-This device contains batteries that cannot be replaced.

-The battery must be removed from the device before it is disposed of. The unit must be disconnected from the power supply when removing the battery.

-The battery should be removed safely using the following instructions:

1.-Remove the screws on the rear side with a thin screwdriver.

2.-Remove the front cover of the fan.

3.-Remove the battery mounting bracket.

4.-Cut the cables that are attached to the battery so that we

can remove it to an authorised point.

-Do not try to touch the ultrasonic membrane which is highly sensitive, with the fingers, or scrap it with metal tools, otherwise it will reduce mist output.

-The device must only be powered using very low voltage for safety reasons, which corresponds to the device marking.

-If the power cable is damaged, it must be replaced with a cable or special kit available from the manufacturer or after-sales support.

Instructions for cleaning the appliance:

Clean the water reservoir every three days.



Warning:

-Micro-organisms that may be present in the water or in the environment in which the unit is used or stored can grow in the water reservoir and be dispersed into the air, causing very serious health risks if the water is not replaced and the reservoir is not properly cleaned every three days.

-Empty the water reservoir and refill it every three days. Before refilling, rinse the water reservoir under the faucet or clean it with cleaning products. Remove any scale, deposits or film which may have formed on the walls of the reservoir or its internal surfaces, and wipe down all these surfaces.

-You can also use a cotton pad or cotton swab soaked in white vinegar to clean the reservoir and get rid of essential oil residue.

-Never leave water in the reservoir when the device is not in use.

-Empty and clean the humidifier before prolonged storage.

-This instruction manual and spare parts are available on www.innobiz-pro.com

-General precautions for essential oils :

-Only use substances recommended for diffusion in the device.

-Using other substances may cause a toxic hazard or risk of fire.

-Essential oils are active ingredients which must be used in moderation and in conformance with recommended amounts and diffusion times.

-Carefully read the hazard and precautionary statements related to the pictograms.

-Wash your hands immediately after using essential oils.

-Avoid direct contact with eyes, ears and mucous membranes.

-Always follow the detailed precautions for the use of essential oils. In case of allergies, and in particular respiratory allergies, exercise extreme caution in the use of essential oils. The advice of a specialist is recommended. When you seek medical advice, have the essential oil's container and label available.

-Keep essential oils away from air and light, as well as any source of heat or flame.



Read operator's manual.



The crossed-out wheeled bin symbol affixed to the product or its accessories indicates that they are classified as electrical and electronic equipment.

As such, the European regulations require it is collected separately from other waste:

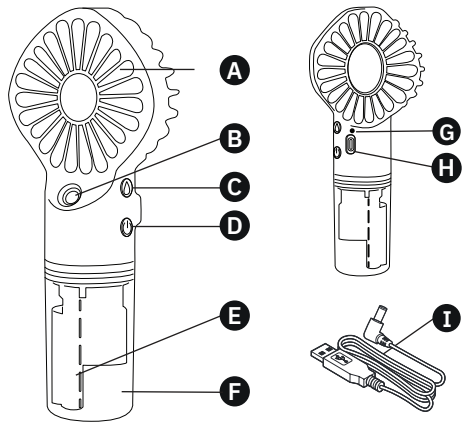
- by distributors, if an equivalent product is purchased,
- using the locally-available collection facilities (waste reception centre, separate collection, etc.).

In this way, you will be helping to reuse and recycle Waste Electrical and Electronic Equipment that could have potentially harmful effects on the environment and on human health.



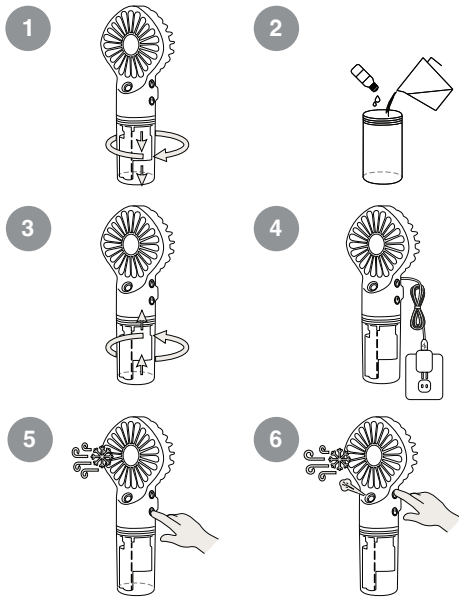
This appliance satisfies the European Community requirements concerning safety, hygiene, the environment and consumer protection.

Description of parts



- A.-** Fan and protection grid.
B.- Essential oil diffusion outlet.
C.- Spray switch.
D.- On/off switch and 4-speed levels.
E.- Suction rod.
F.- Water reservoir.
G.- Charging indicator LED.
H.- Micro-USB charging socket.
I.- Micro-USB/USB charging wire.

Installation




1) Unscrew the reservoir (**F**) carefully so as not to lose the suction rod (**E**).


2) Add into the water reservoir (**F**) water with or without essential oils or floral waters without exceeding the fill limit. Never more than 2 drops of essential oils in the water.

3) Screw on the reservoir.

4) Charge the fan using the MicroUSB/USB charging wire (**I**) supplied and a standard 5V-1A USB adapter or USB port.

The charging indicator LED (**G**) is red when the product is charging, and turns off when the product is fully charged.

5) Press the  button (**D**) to start, select between 4 speed levels and switch off the fan.

6) Press the  button (**C**) to start misting water with or without essential oils or floral waters and to turn off the fan.

The Lithium battery is recharged in **3 hours** when the diffuser is not in use.

The operating time ranges from 4 to 8 hours, depending on the selected speed.

A full reservoir (20 ml) will provide 1 hour's mist.

Warning:
Stop charging the fan when adding

water with or without essential oil drops or floral waters.

Diffusion will stop automatically when the tank is empty.

Maintenance

1.- Make sure that your device has been switched off and is not in the process of charging.

2.- Unscrew the reservoir. Empty all the water remaining in your reservoir.

3.- Use a clean cotton swab or soft cloth to clean the suction rod or inside of the tank. Remove any scale, deposit or film that may have formed on the walls of the tank or its internal surfaces using white vinegar.

Never leave water with oil standing inside the diffuser for long periods of time. It is recommended that you clean the device every 3 days.

Technical features

Model: Mistral.

Diffusion mode: Nebulisation.

Weight: 160g.

Charging input: Output 5VDC, 1A.

Power: 1W.

Dimensions: Ø68 mm. x h165 mm.

Battery: Lithium 3.7V 2200mAh.

Accessories : USB cable + Instruction manual.

Loading time: 3 hours.

Diffuser : Ref. 3700471005524.

Troubleshooting

The device no longer diffuses:

- Check that the essential oils used are 100% pure and natural.

- Check that the floral waters are not excessively oily.

- Check that your device is sufficiently charged. If the diffuser does not light up, plug it into a wall socket via the power cable to recharge it.

- Check that there is sufficient water in the tank. If necessary, replenish it.

- Maintain and clean your diffuser as described in the section below.

- Check that the "nozzle + essential oil bottle" assembly is correctly installed and screwed on.

The diffuser no longer recharges:

- Make sure the power supply is properly connected and the Type C plug is plugged into the diffuser. If necessary, disconnect and reconnect the assembly.

Guarantee

The Mistral diffuser is under 2 years of warranty parts and labour. Please be sure to keep your original invoice in order to ask for any aftersales service.

Warranty cannot cover damages caused by wrong use for or incorrect storage of the mister and its parts.


innobiz
 Essential oil
 diffusion expert