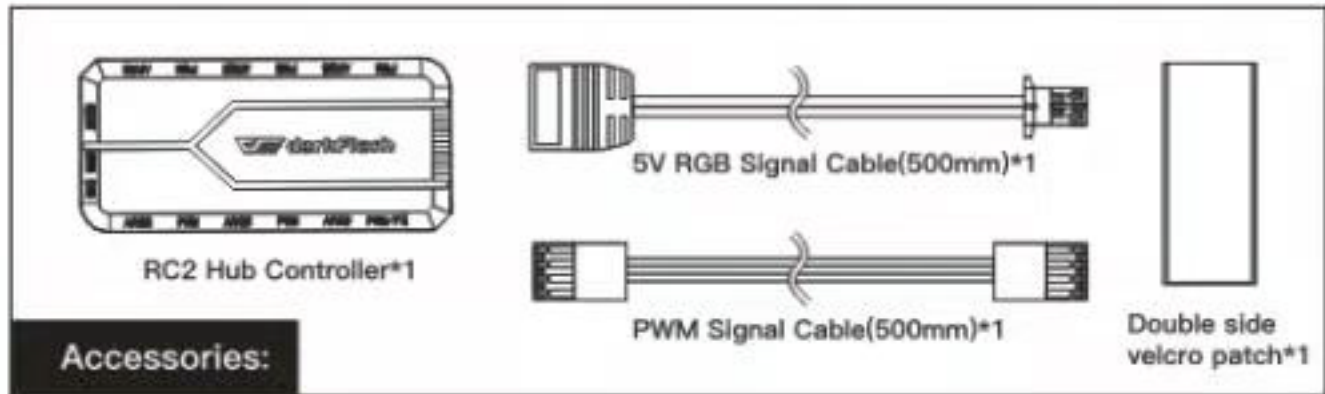


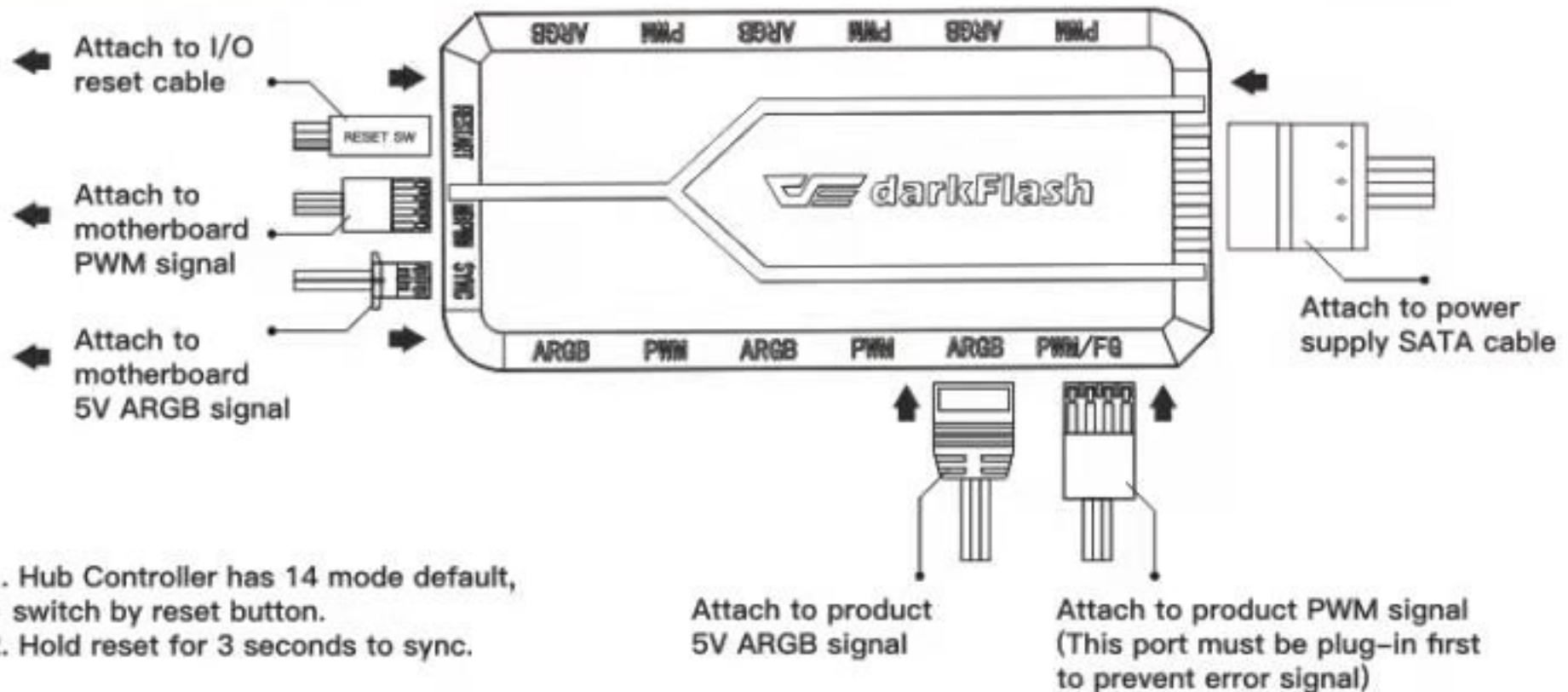
5V | 6CH | 6CH
M/B SYNC | PWM | ARGB

RC2 PWM CONTROLLER

6 ARGB & 6 PWM signal output ports



Installation Instructions:



1. Hub Controller has 14 mode default, switch by reset button.
2. Hold reset for 3 seconds to sync.