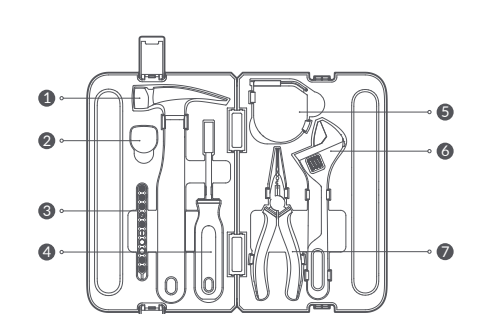


This manual applies to the hand tools in HOTO Household Tool Kit, HOTO Electric Screwdriver Kit, and HOTO 12V Brushless Drill Kit.

### Product Overview

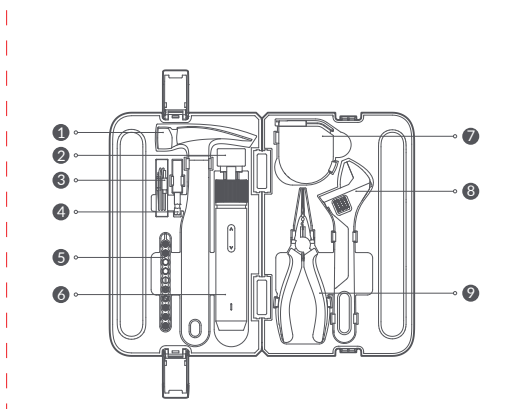
Please read this manual carefully before using the product and keep it for future reference.

#### HOTO Household Tool Kit



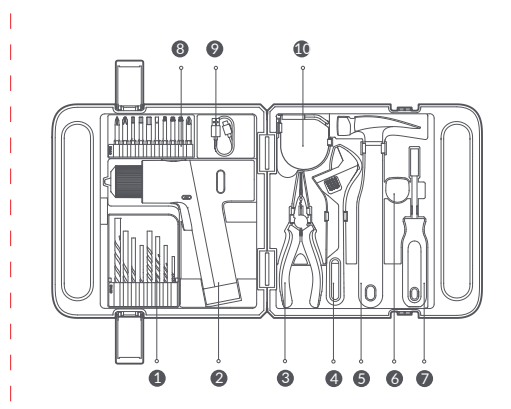
- 1 Claw Hammer
- 2 Rubber Hammer Cap
- 3 Bits Set
- 4 Multifunctional Screwdriver
- 5 HOTO Self-locking Tape Measure
- 6 Adjustable Wrench
- 7 Multifunctional Needle-Nose Pliers

#### HOTO Electric Screwdriver Kit



- 1 Claw Hammer
- 2 Rubber Hammer Cap
- 3 USB Cable
- 4 Bit Extension
- 5 Bits Set
- 6 HOTO 3.6V Cordless Screwdriver
- 7 HOTO Self-locking Tape Measure
- 8 Adjustable Wrench
- 9 Multifunctional Needle-Nose Pliers

#### HOTO 12V Brushless Drill Kit

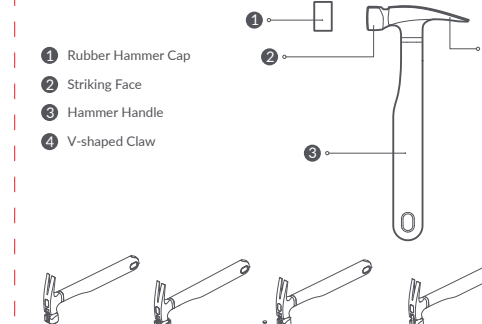


- 1 Drill Bit
- 2 HOTO 12V Brushless Drill
- 3 Multifunctional Needle-Nose Pliers
- 4 Adjustable Wrench
- 5 Claw Hammer
- 6 Rubber Hammer Cap
- 7 Multifunctional Screwdriver
- 8 Bits Set
- 9 USB Cable
- 10 HOTO Self-locking Tape Measure

### How to Use

#### Claw Hammer

Claw hammer: The flat side of the hammer head is the striking face. It can be used for striking hard objects. It features a built-in magnetic nail starter to make it easy and safe to drive a nail. The V-shaped claw on the other side is for extracting nails. A rubber hammer cap is provided. It is recommended to install the rubber cap to prevent the surface from scratch when hammering.

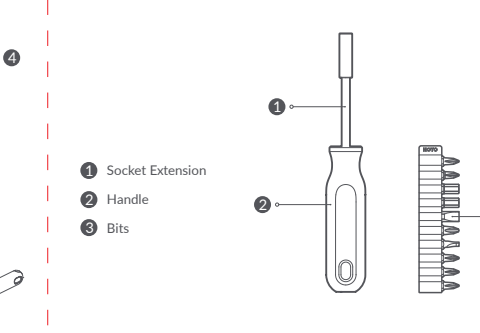


#### Notes

- Strike a hammer blow with the striking face parallel to the surface being struck.
- Do not strike one hammer with another.
- Do not use it when the hammer head is loose.
- Do not use it when the hammer handle is damaged.
- Do not use the rubber hammer cap for nail driving.

#### Multifunctional Screwdriver

Multifunctional Screwdriver: With a built-in magnet, the socket extension can magnetically hold C6.3 bits. It can also be attached to a variety of bits. The HOTO household tool kit is equipped with 10 pcs of bits for various screw tightening and removing scenarios.

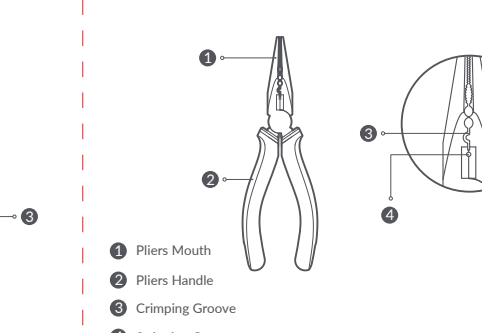


#### Notes

- The multifunctional screwdriver uses C6.3 bits. Please use bits of proper specification.
- Ensure the screwdriver be operated vertically against the workpiece.
- Do not use the screwdriver as a crowbar or a chisel.
- Do not use the screwdriver for electrical work.

#### Multifunctional Needle-Nose Pliers

Multifunctional Needle-nose Pliers: It can be used to clamp and fix workpieces; twist, bend and cut metal wires; strip wires; crimp terminals, etc. It is equipped with a labor-saving spring and has a self-resetting function, making it easy to use.

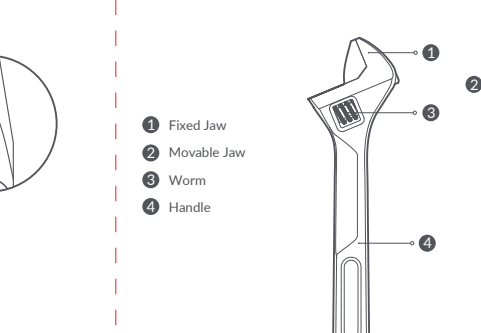


#### Notes

- Please wear protective goggles when cutting or tightening wires.
- Do not use the multifunctional needle-nose pliers as a hammer.
- Please take proper care of the pliers and lubricate the hinges.
- Do not use the pliers for electrical work.

#### Adjustable Wrench

Adjustable Wrench: 200mm long, it can be used to tighten or loose hexagon bolts or nuts. Turn the worm to adjust the width between the two jaws to clamp the nuts. This wrench applies to hexagon bolts and nuts ≤20mm.

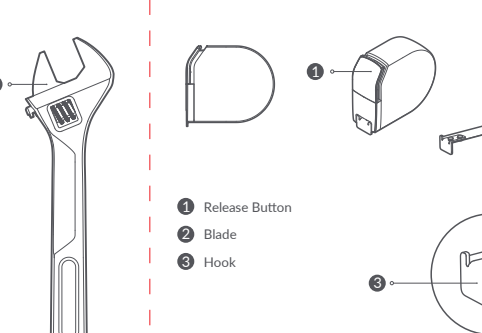


#### Notes

- When operating, the width between the two jaws must be adjusted accurately to fit the nut.
- The wrench and the nut must be kept horizontal to prevent slippage. Do not strike hard objects with the wrench.
- To avoid damaging the wrench, do not attempt to increase the pulling leverage by adding an extension bar or pipe to the wrench handle.

#### HOTO Self-locking Tape Measure

HOTO Self-locking Tape Measure: The auto-lock tape measure enables a convenient and safe operation. Pull out the blade and start measuring. The auto-lock functions allows the blade to keep extended until you press the release button, which then allows it to retract easily.



#### Notes

- The maximum measuring range is 3 meters. Do not pull out the blade beyond the range.
- Do not touch the edge of the blade during retraction to prevent cuts.
- Do not grasp the blade to prevent cuts.
- Do not use the tape measure if the blade is broken or torn.

### Specifications

Name: HOTO Household Tool Kit  
 Model: QWSGJ002  
 Item Dimensions: 70×168×268 mm  
 Net Weight: 1710g  
 Bit Specification: C6.3×25 mm

Name	Material	Dimensions
Claw Hammer	Hammer Head: 45#Steel Rubber Hammer Cap: PU/TPR Hammer Handle: Glass Fiber+PP+TPE	24×105×240mm
Multifunctional Screwdriver	Socket Extension: CR-V Steel Handle: PP+TPE	Φ30×198mm
Bits	S2 Steel	C6.3×25mm
Multifunctional Needle-Nose Pliers	Pliers Body: CR-V Steel Pliers Handle: PP+TPE	15.6×55×169mm
Adjustable Wrench	45#Steel	13.6×56.5×200mm
HOTO Self-locking Tape Measure	Tape: 55#Steel Shell: ABS	26.8×60×70mm
HOTO Household Tool Kit	ABS	70×168×268mm

Name: HOTO Electric Screwdriver Kit  
 Model: QWDGJ001  
 Item Dimensions: 70×168×268 mm  
 Net Weight: 1860g  
 Bit Specification: C6.3×25 mm

Name	Material	Dimensions
HOTO 3.6V Cordless Screwdriver	Handle: PC+ABS+TPU	178.8×34×35mm
USB Cable	PVC	300mm
Bit Extension	CR-VSteel	60mm
Claw Hammer	Hammer Head: 45#Steel Rubber Hammer Cap: PU/TPR Hammer Handle: Glass Fiber+PP+TPE	24×105×240mm
Bits	S2 Steel	C6.3×25mm
Multifunctional Needle-Nose Pliers	Pliers Body: CR-V Steel Pliers Handle: PP+TPE	15.6×55×169mm
Adjustable Wrench	45#Steel	13.6×56.5×200mm
HOTO Self-locking Tape Measure	Tape: 55#Steel Shell: ABS	26.8×60×70mm
HOTO Electric Screwdriver Kit	ABS	70×168×268mm

Name: HOTO 12V Brushless Drill Kit  
 Model: QWDZGJ001  
 Item Dimensions: 91×268×270 mm  
 Net Weight: 3400g  
 See the manual of HOTO 12V Brushless Electric Drill for details of the bit specification and drill specification.

Name	Material	Dimensions
HOTO 12V Brushless Drill	Handle: PC+ABS+TPU	50×180×185mm
USB Cable	PVC	300mm
Drill Bit	Alloy Steel	Metal Drill: 3/4/5/6mm Wood Drill: 4/5/6/7mm
Claw Hammer	Hammer Head: 45#Steel Rubber Hammer Cap: PU/TPR Hammer Handle: Glass Fiber+PP+TPE	24×105×240mm
Bits	S2 Steel	C6.3×50mm
Multifunctional Screwdriver	Socket Extension: CR-V Steel Handle: PP+TPE	Φ30×198mm
Multifunctional Needle-Nose Pliers	Pliers Body: CR-V Steel Pliers Handle: PP+TPE	15.6×55×169mm
Adjustable Wrench	45#Steel	13.6×56.5×200mm
HOTO Self-locking Tape Measure	Tape: 55#Steel Shell: ABS	26.8×60×70mm
HOTO 12V Brushless Drill Kit	ABS	91×268×270mm

Manufacturer: Shanghai HOTO Technology Co., Ltd.  
 Address: Building 45, No. 50 Moganshan Rd, Putuo District, Shanghai, PRC, 200060.