


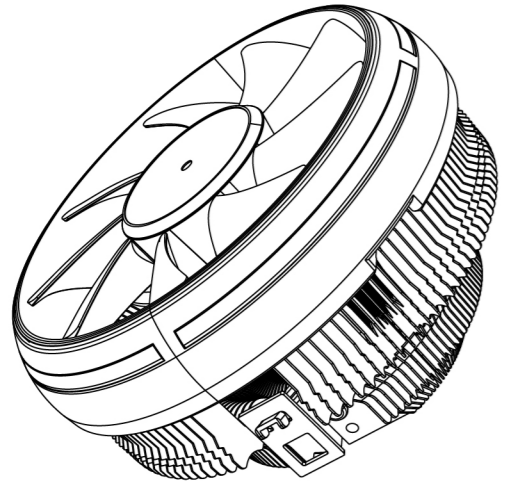
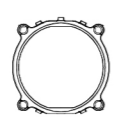




Lair









 Intel Buckle*1


 White Female Buckle*4

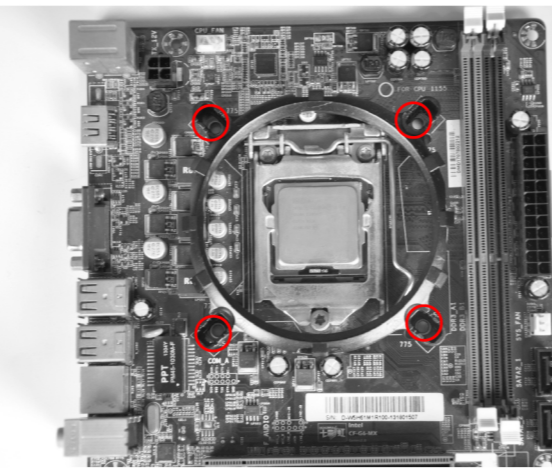

 Black Male Screw


 Thermal Paste

Cooler size	125(L)*125(W)*74(H)
Lifespan	30,000hrs
N.W.	300g
G.W.	369g
Port	Little 3pin
Voltage	12V
Fan size	125(L)*125(W)*25(H)
Fan bearing	hydraulic
Fan speed	1600 ± 10%RPM
Air flow	58CFM Min
Fan noise	23.5 dBA (MAX.)
Application	Intel LGA 775 / 115X / 1366 AMD AM3,AM4 (Core i3 / i5 /) CPU

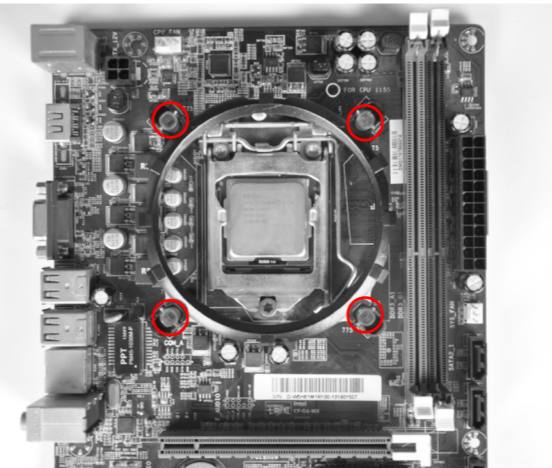
aigo

Intel Platform Install



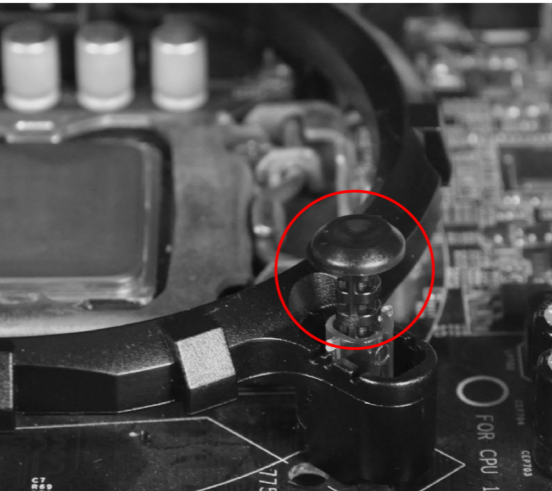
Step1 : Install CPU, then place the intel buckle above CPU, and aim at the holes.

Intel Platform Install



Step2: Place the white female buckles on the holes, push them sown until you hear the click sound of successful locking them in.

Intel Platform Install



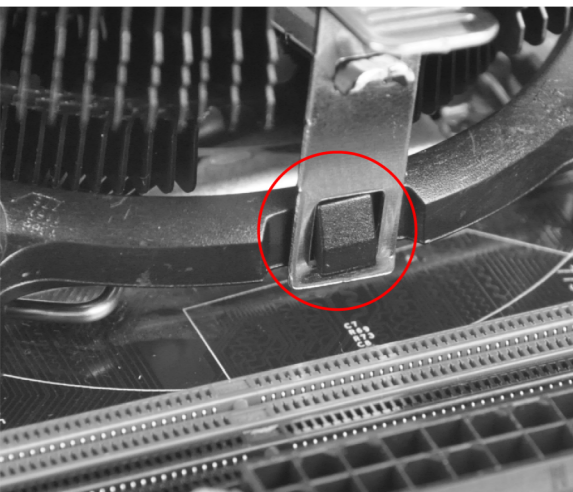
Step3: Put the black male buckles on the four holes, and push it down to the bottom.

Intel Platform Install



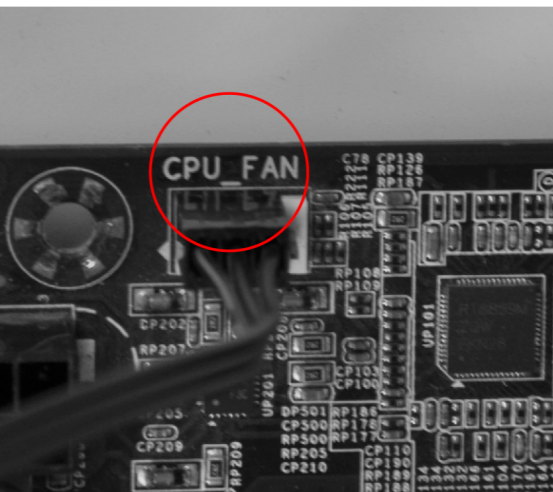
Step4 : Apply thermal paste.

Intel Platform Install



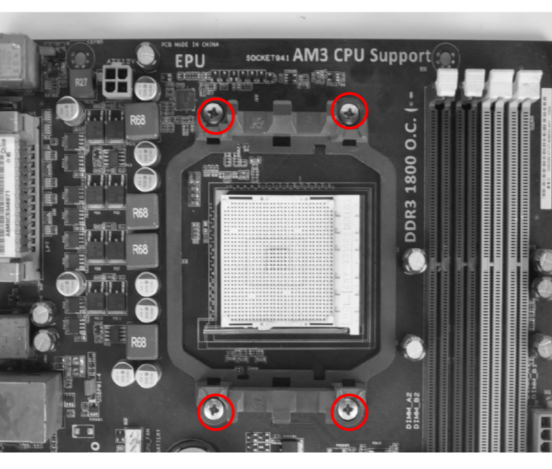
Step5: Lock the Cooler with the buckles both side on the Intel buckle.

Intel Platform Install



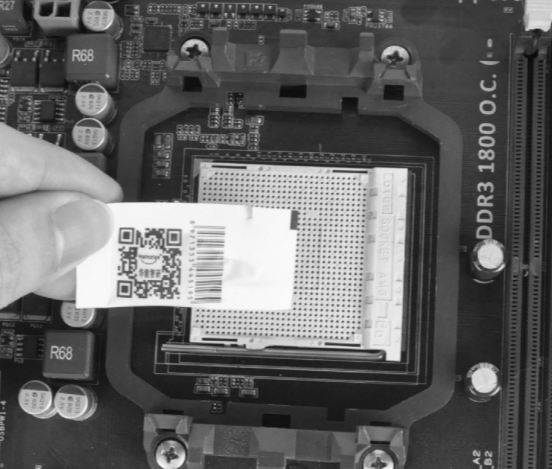
Step6: Connect the cable to CPU_FAN interface.

AMD Platform Install



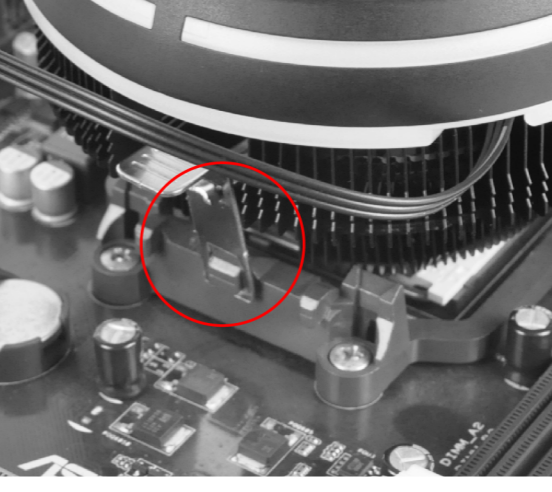
Step1: Install CPU, then install the buckle on AMD motherboard.(Any questions please contact the motherboard vendor.)

AMD Platform Install




Step2: Apply thermal paste.

AMD Platform Install



Step3: Lock the Cooler with the buckles both side on the AMD buckle .

AMD Platform Install



Step4: Connect the cable to CPU_FAN interface.