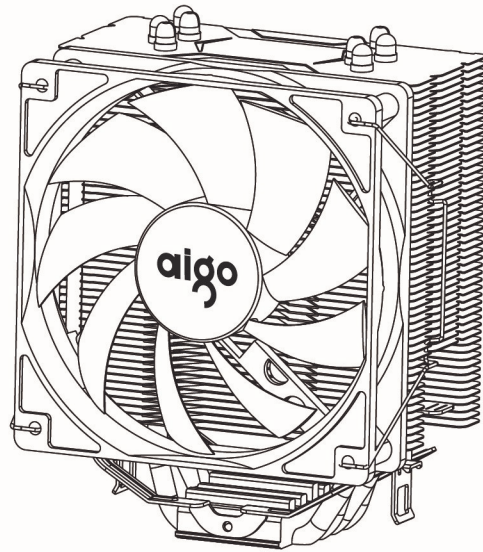


aigo

aigo

YOUNG IS THE AIGO



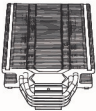







ICE400

CPU COOLER

· Instruction manual ·

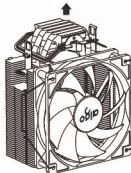
SPECIFICATION

Support: Intel LGA775/115X/1366/1200 (Core i3/i5/i7/i9 CPU)
AMD AM4/FM2/FM1/AM3+/AM3/AM2+/AM2 CPU

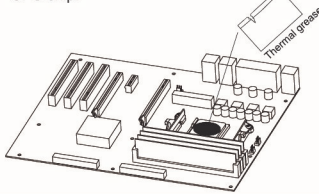
 Module*1	 Fan*1	 Buckle*1	 Cable buckle*2
 Intel_PBT buckle*1	 Push_pin*4	 Intel buckle*4	 Thermal grease*1

For AMD AM4 / FM2 / FM1 / AM3+ / AM3 / AM2+ / AM2 CPU

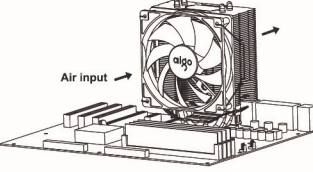
STEP 1
Remove the PE protective film at the bottom of the CPU cooler.



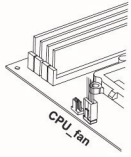
STEP 2
Apply the thermal grease on the motherboard CPU chip.



STEP 3
Fasten the left and right of the CPU cooler buckle with the PBT buckle.

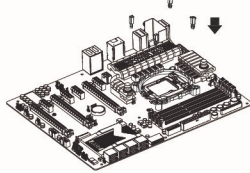


STEP 4
Connect the fan connector to the CPU_fan pin.

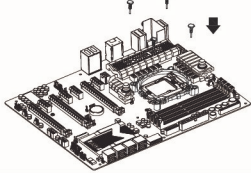
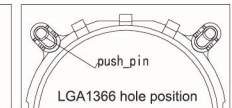
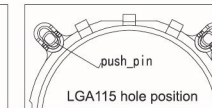
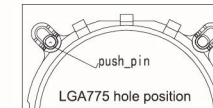


For INTEL LGA775 / 115X / 1366 / 1200 (Core i3 / i5 / i7 / i9 CPU)

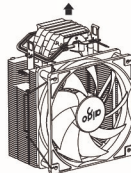
STEP 1
Insert the PBT buckle into the corresponding holes on mainboard; fix the motherboard and PBT buckle by Push_pin.



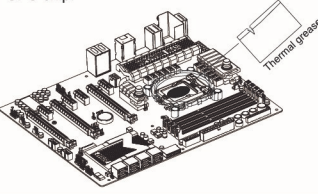
STEP 2
Insert the Intel buckle into the holes of PBT buckle; fix motherboard and the buckle.

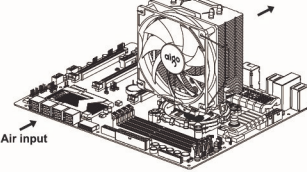
STEP 3
Remove the PE protective film at the bottom of the CPU cooler.



STEP 4
Apply the thermal grease on the motherboard CPU chip.



STEP 5
Fasten the left and right of the CPU cooler buckle with the PBT buckle.



STEP 6
Connect the fan connector to the CPU_fan pin.

